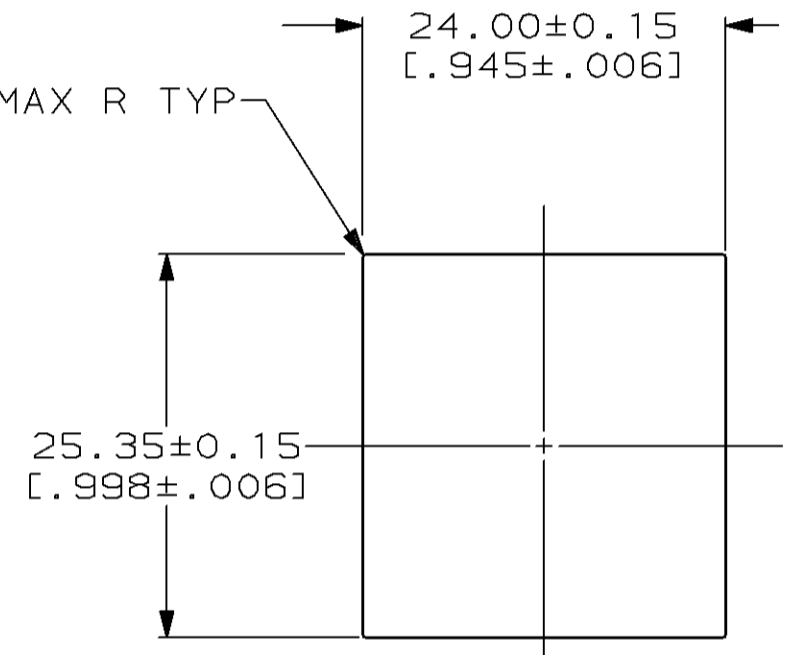
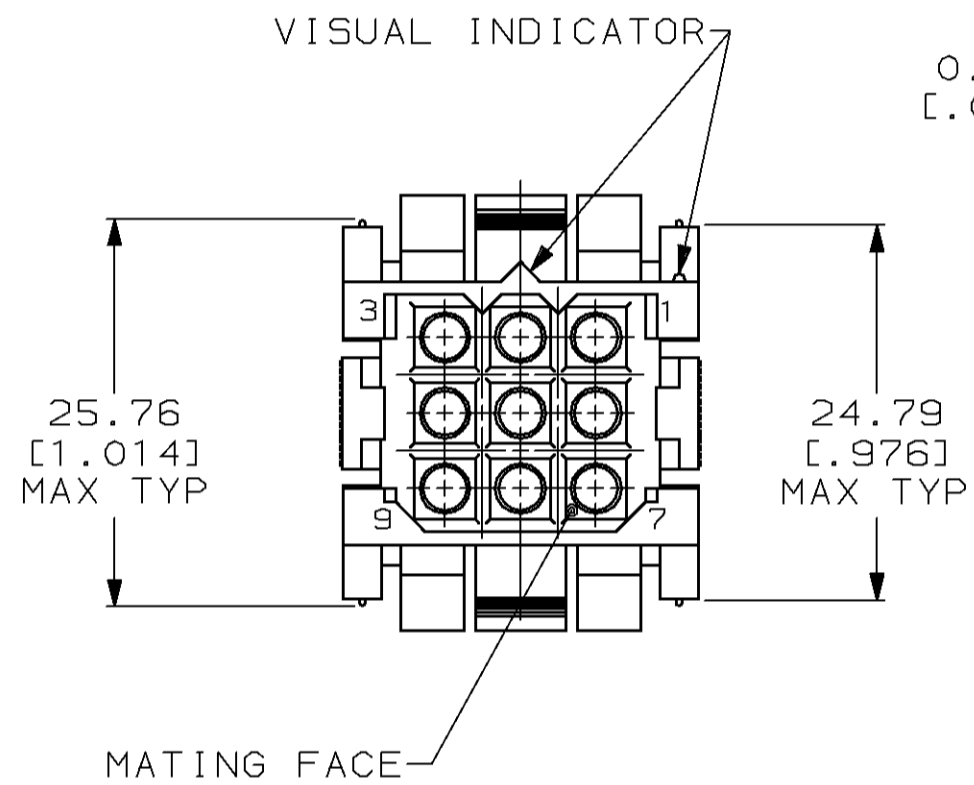
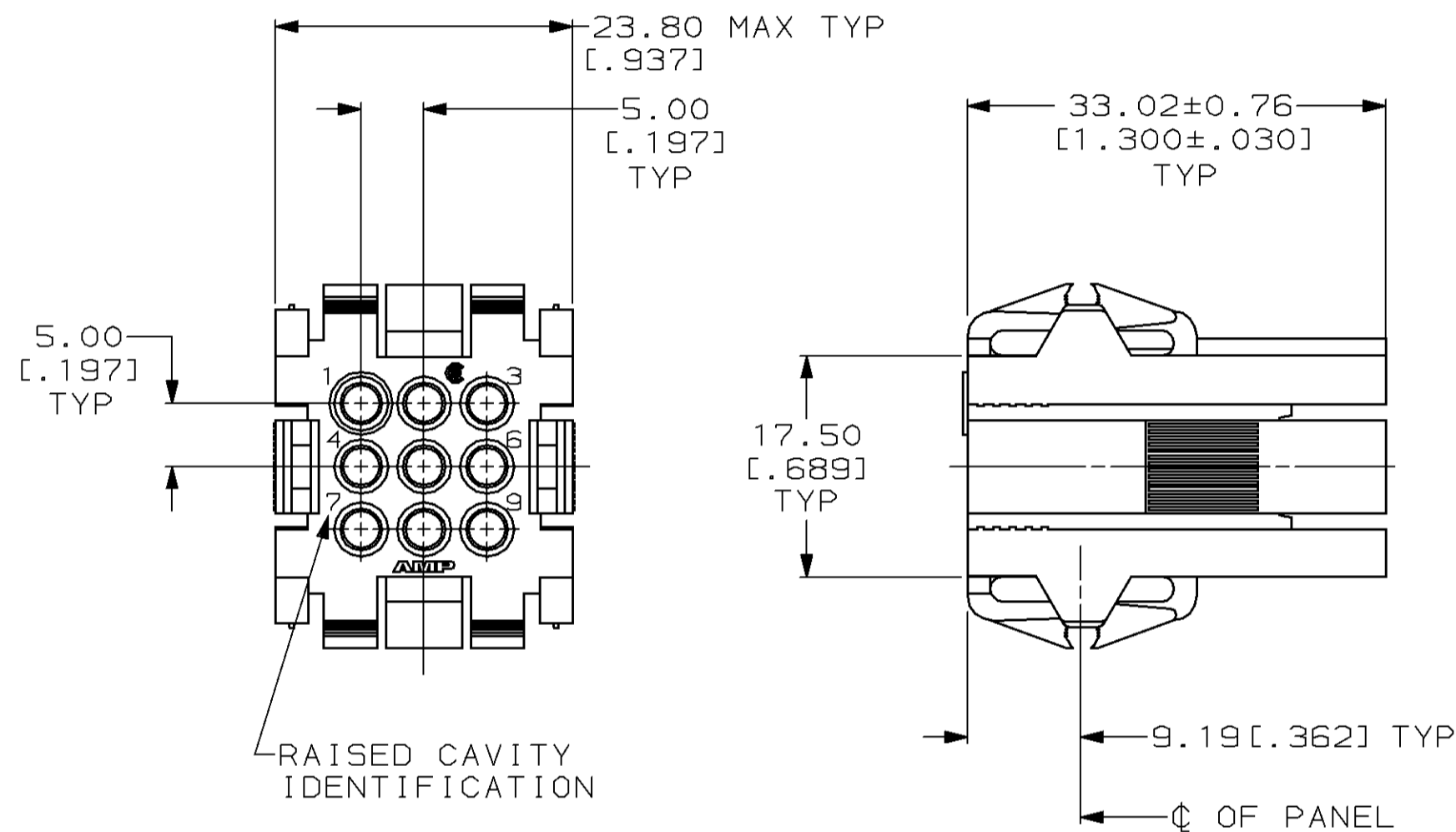


MOD	LOC	DIST	P	F	ZONE	LTR	DESCRIPTION	DATE	APPD
1	BD	37					REVISIONS		
						E	REDRAWN & REVISED PER ECN BD6668	08/26/92	-
						F	REV PER EC 0020-250-94	03/24/94	AT



PANEL CUTOUT

1. PANEL RETENTION MECHANISM ACCOMMODATES PANEL THICKNESSES FROM 0.76 [.030] TO 2.29 [.090].

THIS DRAWING IS A CONTROLLED DOCUMENT FOR AMP INCORPORATED. IT IS SUBJECT TO CHANGE AND THE CONTROLLING ENGINEERING ORGANIZATION SHOULD BE CONTACTED FOR THE LATEST REVISION.

DO NOT SCALE PRINT. UNLESS SPECIFIED DIMENSIONS IN mm [INCHES] TOLERANCES ON : 2 PLC DEC ± 0.25 [.010] 3 PLC DEC ± - ANGLES ± -		DR 08/26/92 W.LENKER	AMP Incorporated Harrisburg, PA 17105-3608		
MATERIAL NYLON, COLOR: RED		CHK 8-31-92 R.STONE			
FINISH -		APPD 9-2-92 A.TRAVIS	NAME HOUSING, RECEPTACLE, 9 POSITION, METRIMATE		
-		APPD 9-3-92 C.ROHDE			
-		PRODUCT SPEC 108-10033	SIZE C	CAGE CODE 00779	DRAWING NO C=207440
-		APPLICATION SPEC -	SCALE 2:1	SHEET 1 OF 1	
-		WEIGHT -	CUSTOMER DRAWING		

207440-1
PART NO